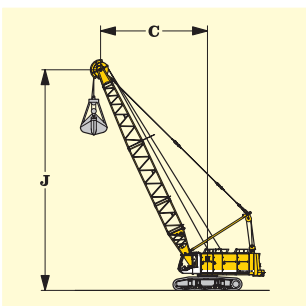


# Hydraulic crawler cranes Duty cycle

# HS Series<sup>®</sup> Litronic

## Clamshell operation



Clamshell operation						
Type	Engine	Winches	Boom	Capacity at 60°	Working radius C	Working height J
HS 835 HD	270 kW	2x 16 t	14 – 23 m	11 t / 7 t	9 – 13 m	13 – 21 m
HS 845 HD	350 kW	2x 16 t	17 – 26 m	14 t / 9 t	11 – 15 m	16 – 24 m
HS 855 HD	450 kW	2x 20 t	20 – 29 m	16 t / 11 t	12 – 17 m	19 – 27 m
HS 875 HD	450/670 kW	2x 25 t	21 – 30 m	18 t / 12 t	13 – 17 m	20 – 28 m
HS 885 HD	450/670 kW	2x 30 t	24 – 33 m	19 t / 12 t	14 – 19 m	23 – 31 m
HS 895 HD	670 kW	2x 35 t	26 – 50 m	32 t / 17 t	16 – 28 m	24 – 44 m

Above chart is for reference only. Subject to change without notice.

**Liebherr-Werk Nenzing GmbH**  
Postfach 10, A-6710 Nenzing/Austria  
Tel.: +43 5525 606-473  
Fax: +43 5525 606-499  
crawler.crane@liebherr.com  
www.liebherr.com

# LIEBHERR

The Group